

## D50 Electric Scooter

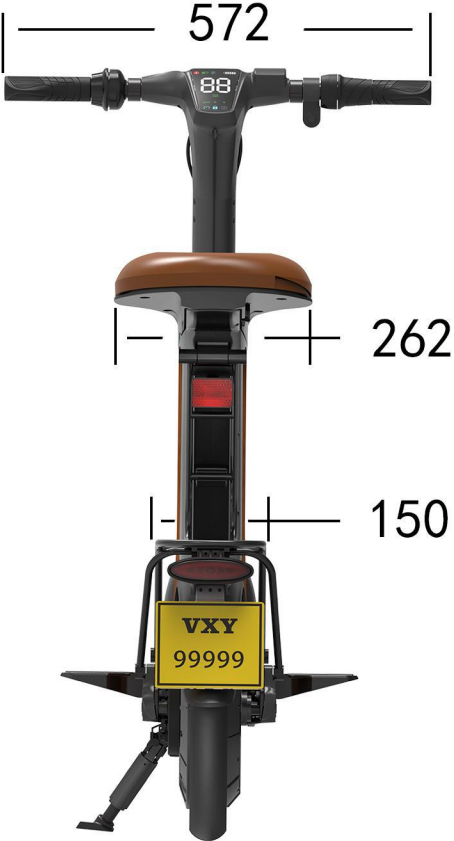
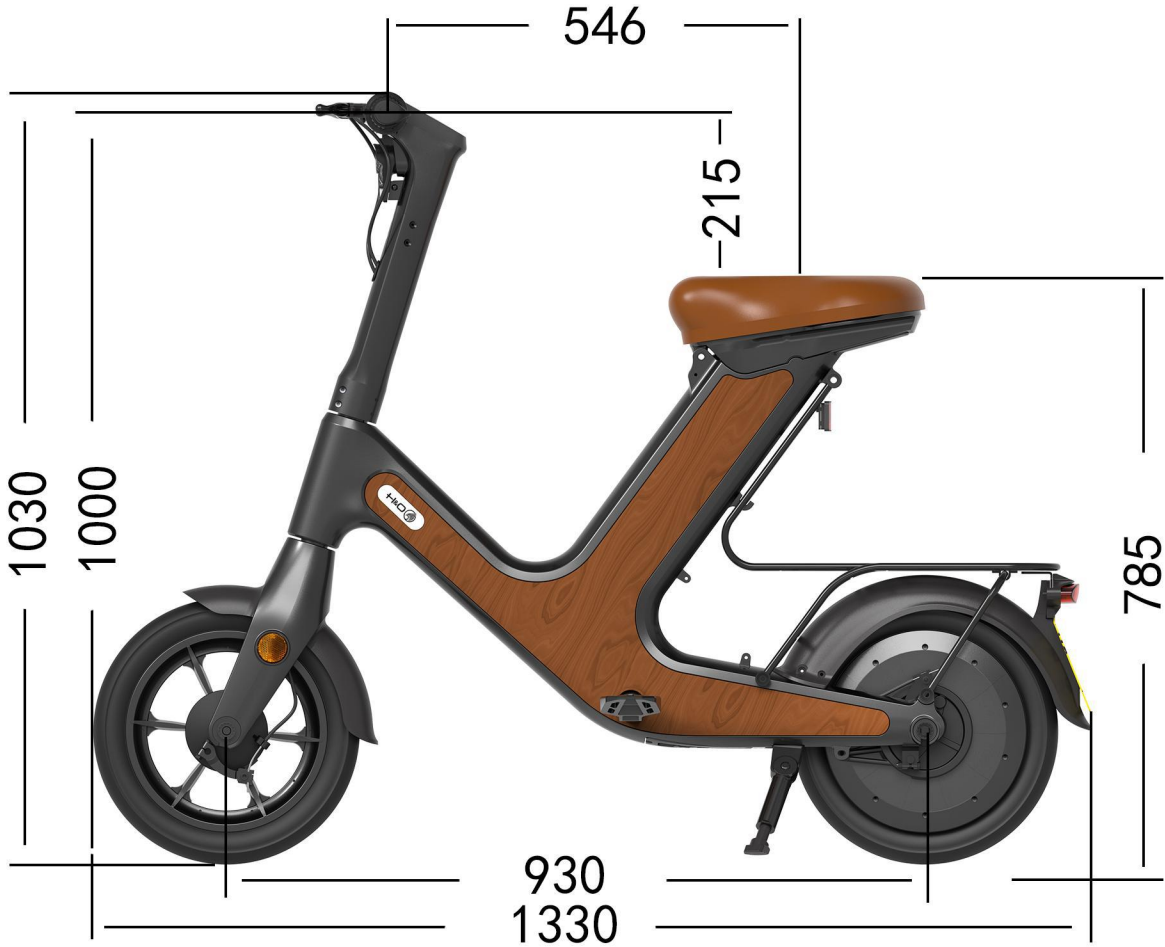


# Features

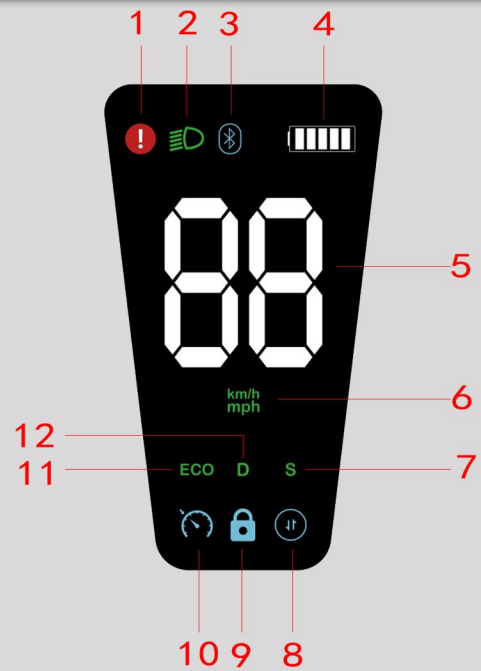
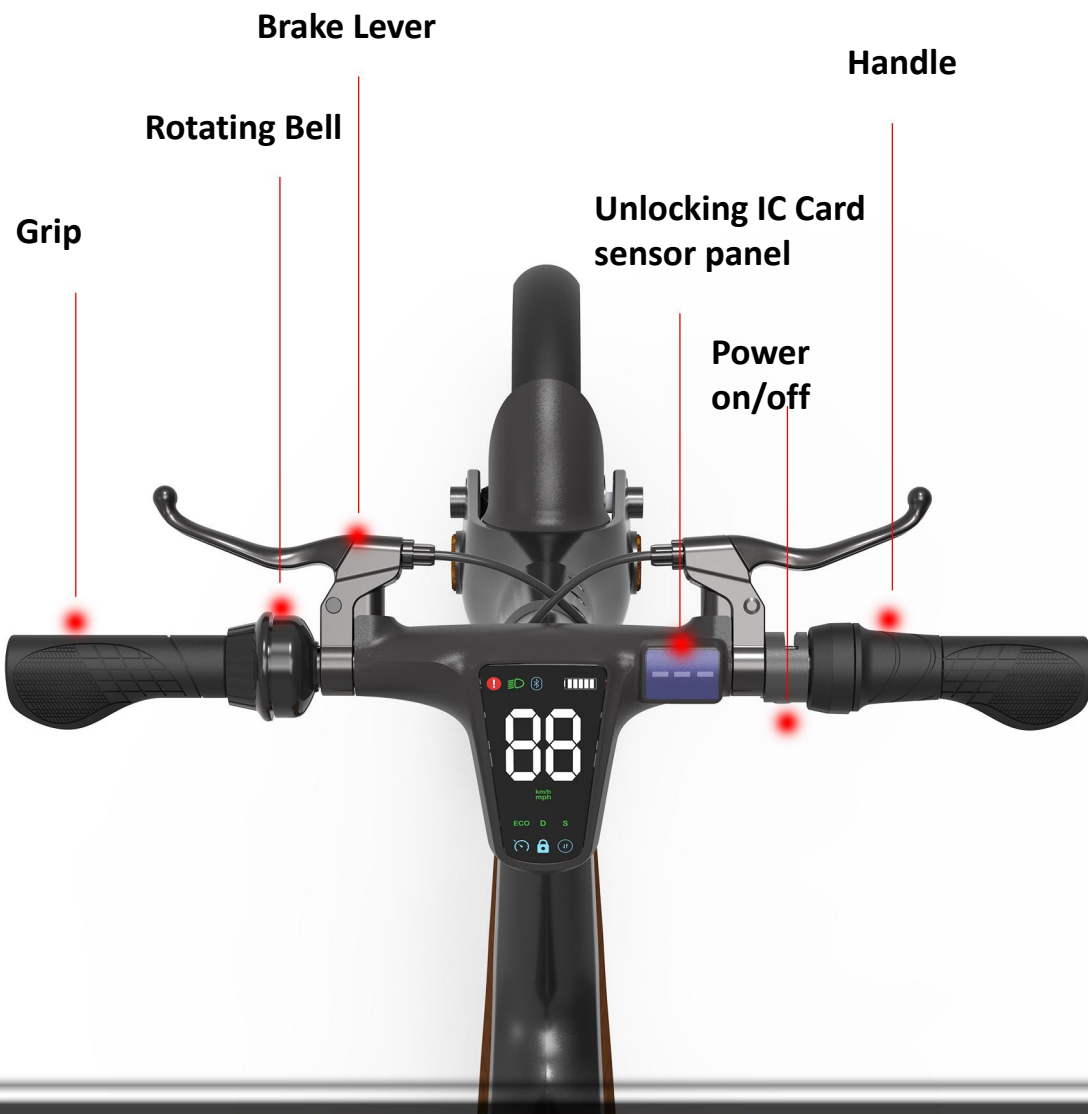


1. Integrated magnesium alloy frame: Lightweight, good shock absorption and high toughness.
2. The bike have beautiful lines and novel shapes.
3. Front headlamp, rear light and side reflector. More safe in the night!
4. All cables are hidden. High weather-proof level.
5. High definition LED dashboard displays battery power, speed, range.
6. Front and rear wheel are using drum brake. More safe and high braking performance.
7. 48V 400W rear drive motor. More Powerful.
8. FOC Controller, more quiet.
9. Rotating saddle design, easy to take out the battery pack.
10. Front and rear 14 inch tires are using PU foamed inner tube. Flat-free, high comfort and longer service life.

Size (mm)



# Details-Dashboard



- 1: Fault Indication
- 2: Front Headlamp
- 3: Bluetooth Display
- 4: Battery Power
- 5: Speed
- 6: Speed Unit(KM/h) (MPH)
- 7: Sport Mode
- 8: Data Transmission Display
- 9: Lock Display
- 10: Cruise Display
- 11: ECO Mode
- 12: Normal Mode

# Details-Wheels





## Details-Removable Battery

Charging battery on the bike or take out for charging



1. Pull out the safety lock



2. Turn up the saddle



Charging port

3. Key open mechanical lock

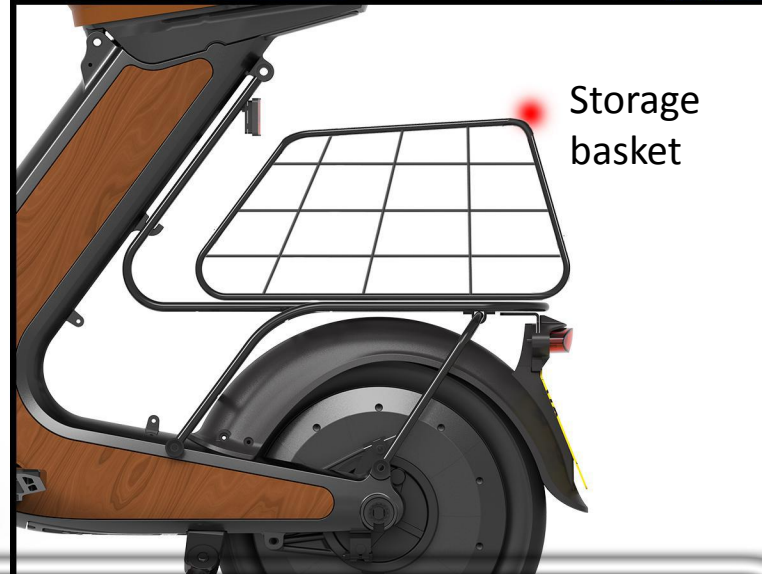
# Details: Bike Rack



Side bag



Bag



Storage basket



# Details-Electronic System





# Details-Frame

## Features of magnesium alloy:

1. Lightweight.
2. High strength and stiffness
3. Good shock absorption
4. Good performance in die casting
5. Good electromagnetic shielding and radiation protection performance
6. High stability, high precision machining



# Key Parameters



	Items	Parameter
Frame	Material	Magnesium alloy
Front fork	Material	Cast aluminium
Battery	Capacity	48V10.4Ah
Parameters	Max.speed	25-35km/h
	Max.range	35-40km
	Max.climb angle	18°
	Tire	Front and rear 14 inch (PU foamed inner tube)
	Brake	Front & rear drum brake
Config	Light	Front lamp, tail light and reflector
	Dashboard	LED
	Controller	FOC 48V20A
	Reflector	Front, side, tail
Motor	Rated power	400W rear drive
Charger	Output voltage	DC54.6V 3A